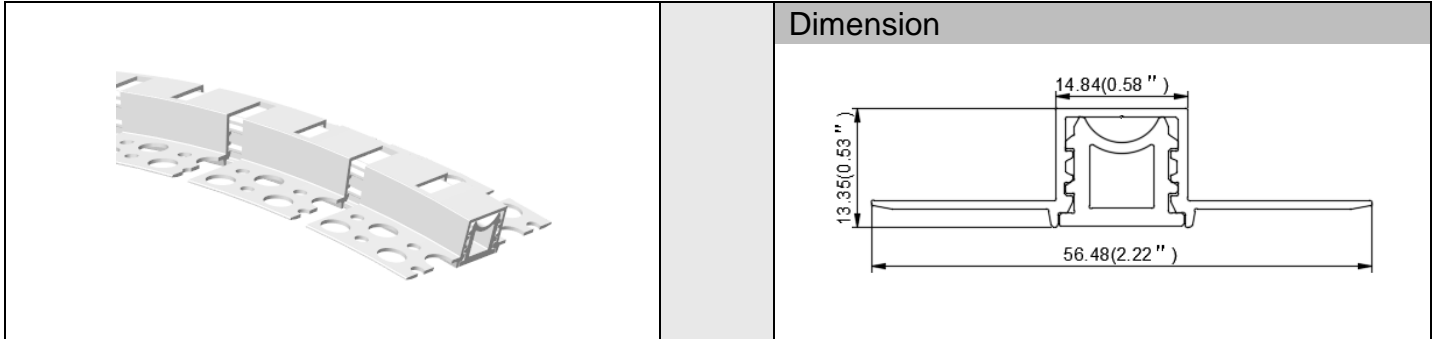






Model : ALP213-R



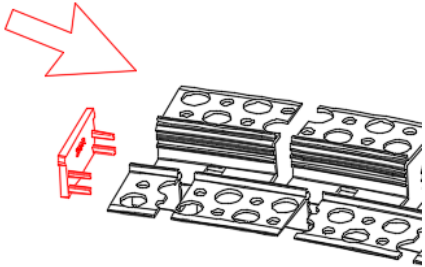
Specification	
Aluminum Profile	6063-T5
Diffuser	silicone diffuser
Length	2000mm
Weight	0.3kg/m
Max LED Strip Width	12mm
Max Power	15W/m
Beam angle	/
Finish	Silver / Black anodized , Powder coated white / black or other colors
Installation	Recessed

Accessories			
			
End cap with hole	End cap without hole	LED Strip	180° Connector (Metal)
			
Pearl cotton			

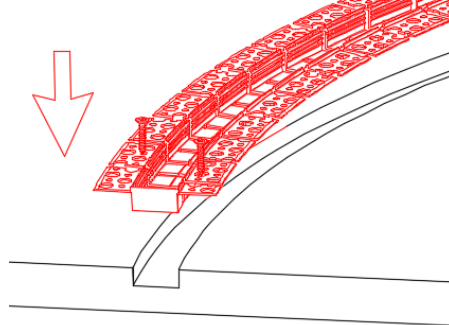
Steps of Installation

Method 1

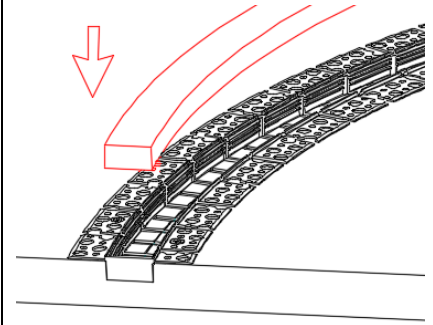
1. Install the end caps



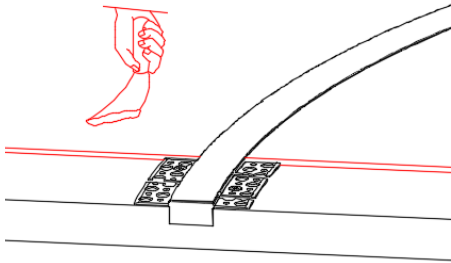
2. Install the profile with screws



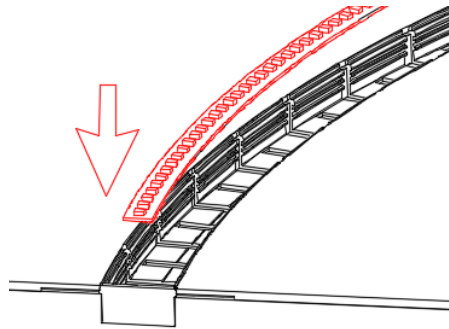
3. insert the Pearl cotton



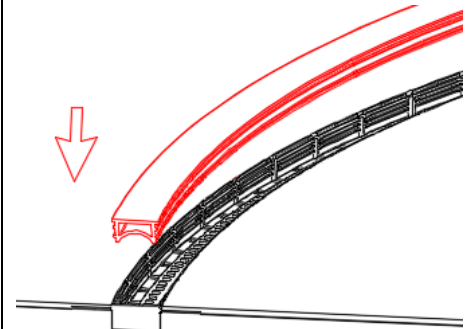
4. Plaster on the fixture & drywall



5. Stick the LED strip



6. Press the cover

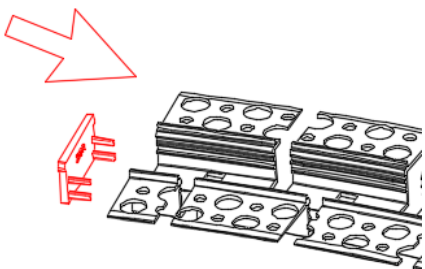


7. Installation completed

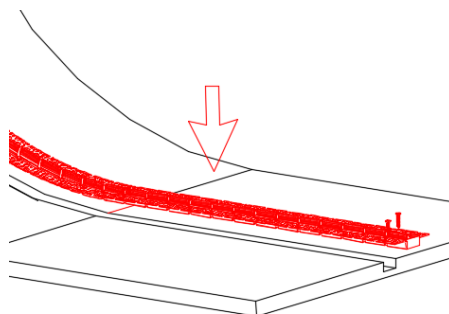


Method 2

1. Install the end caps



2. Install the profile with screws



3. insert the Pearl cotton

