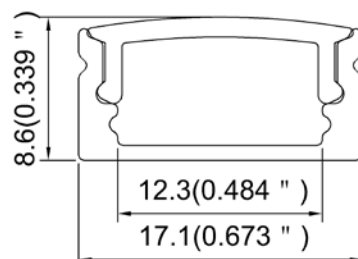


Model : ALP002-R



Dimension



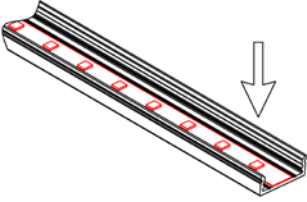
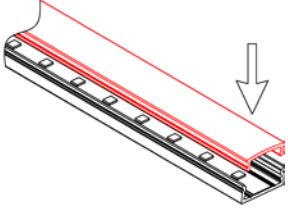
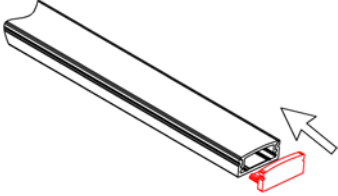
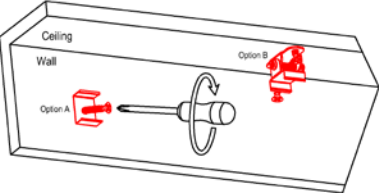
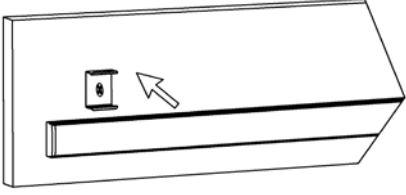
Specification

Aluminum Profile	6063-T5
Diffuser	PC diffused cover / PMMA opal cover/ PMMA semi-clear cover /PMMA clear cover
Length	2000mm / 2500mm / 3000mm
Weight	0.137kg/m
Max LED Strip Width	12mm
Max Power	15W/m
Beam angle	100°
Finish	Silver / Black anodized , Powder coated white / black or other colors
Installation	Surface / Recessed

Accessories

End cap with hole(ABS)	End cap without hole(ABS)	LED Strip	Adjustable bracket(metal)
Mounting clip(Metal)	Mounting clip(PC)	180° Connector (PC)	90° Connector (PC)

Steps of Installation

<p>1. Stick the LED strip</p> 	<p>2. Press the diffused cover</p> 	<p>3. Click the end caps</p> 
<p>4. Install the mounting clip chosen</p> 	<p>5. Click the fixture to the mounting clip</p> 	<p>6. Installation completed</p> 