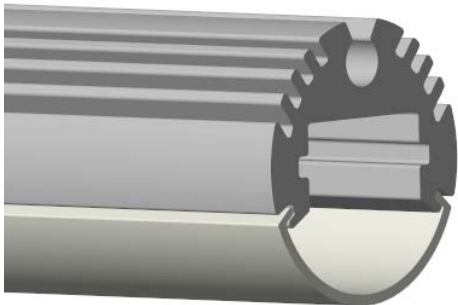
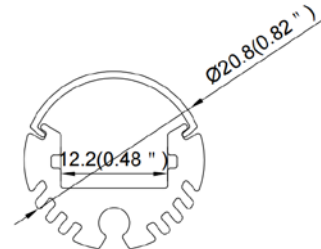


Model : ALP008



**Dimension**



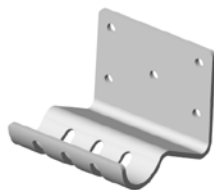
**Specification**

Aluminum Profile	6063-T5
Diffuser	PMMA opal cover / PMMA semi-clear cover /PC diffused cover
Length	2000mm / 2500mm / 3000mm
Weight	0.363kg/m
Max LED Strip Width	12mm
Max Power	20W/m
Beam angle	100°
Finish	Silver / Black anodized , Powder coated white / black or other colors
Installation	Surface

**Accessories**



End Cap (ABS)



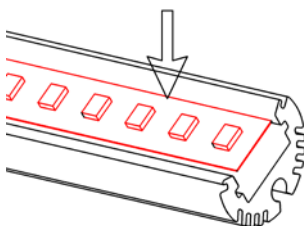
Mounting Clip (metal)



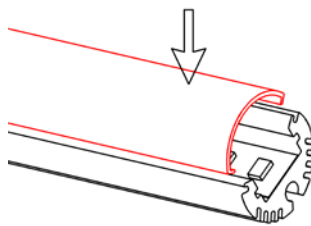
Steel wire

**Steps of Installation**

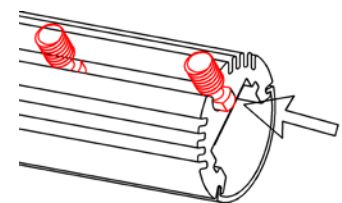
1. Stick the led strips

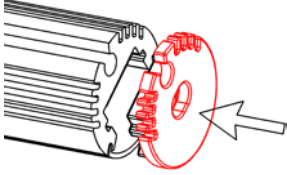
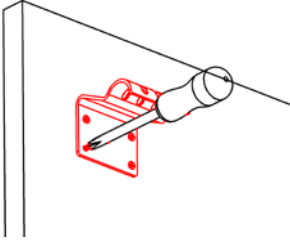
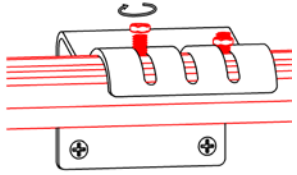
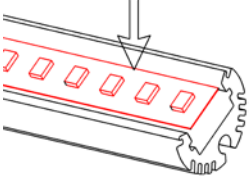
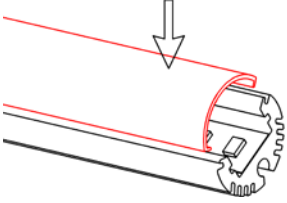
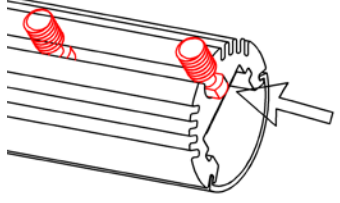
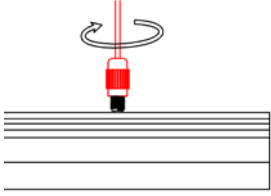
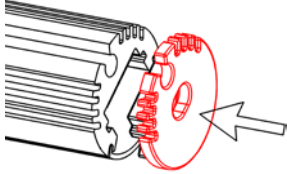
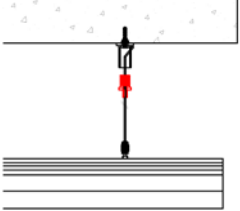
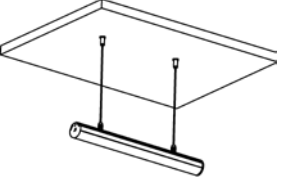


2. Install the diffused cover



3. Slide the parts for wall mounting



<p>4. Install the end caps</p> 	<p>5. Mounting the bracket on the wall</p> 	<p>6. Mounting the profile with bracket.</p> 
<p><b>WALL MOUNTING</b></p>		
<p>1. Stick the led strips</p> 	<p>2. Install the diffused cover</p> 	<p>3. Slide the parts for hanging</p> 
<p>4. Lock the parts tightly</p> 	<p>5. Install the end caps</p> 	<p>6. Install the hanging cable parts</p> 
<p>7. Installation completed</p> 	<p><b>PENDDANT VERSION</b></p>	