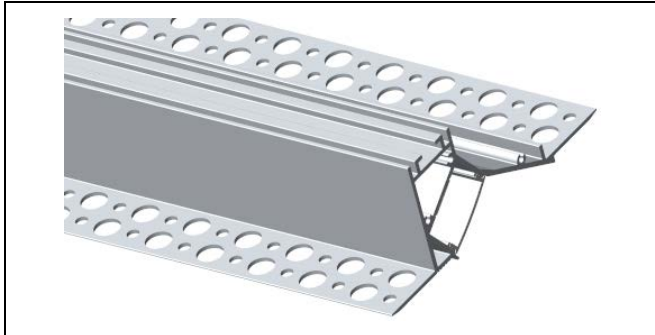
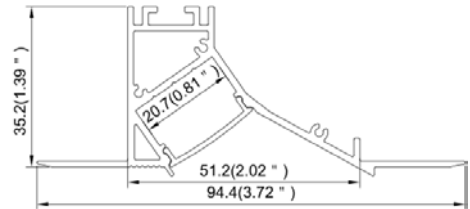


Model : ALP126



Dimension



Specification

Aluminum Profile	6065-T5
Diffuser	PC diffused cover / PMMA opal cover/ PMMA semi-clear cover /PMMA clear cover
Length	2000mm / 2500mm / 3000mm
Weight	0.886kg/m
Max LED Strip Width	20mm
Max Power	18W/m
Beam angle	100°
Finish	Silver / Black anodized , Powder coated white / black or other colors
Installation	Recessed

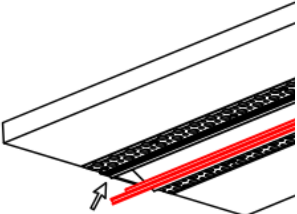
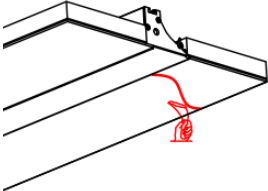
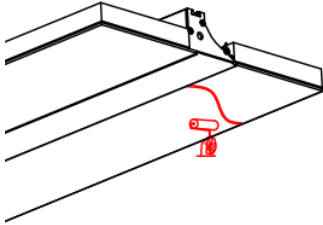
Accessories

End Cap with hole A(Metal)	End Cap without hole(Metal)	LED Strip

Steps of Installation

<p>1. Fix the end caps</p>	<p>2. Mounting the profile on the ceiling</p>	<p>3. Stick the LED strip</p>
----------------------------	---	-------------------------------

SPECIFICATION

<p>4. Press the cover</p> 	<p>5. Apply a layer of plaster to the profile and the ceiling</p> 	<p>6. Paint the surface to finish</p> 
<p>7. Installation completed</p> 