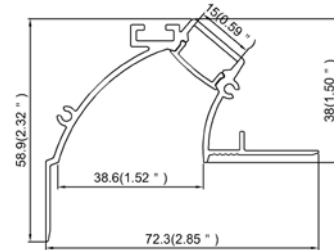


Model : ALP127-R



Dimension



Specification

Aluminum Profile	6063-T5
Diffuser	PC diffused cover / PMMA opal cover/ PMMA semi-clear cover /PMMA clear cover
Length	2000mm / 2500mm / 3000mm
Weight	0.808kg/m
Max LED Strip Width	15mm
Max Power	18W/m
Beam angle	100°
Finish	Silver / Black anodized , Powder coated white / black or other colors
Installation	Recessed

Accessories



End Cap Without Hole (Metal)



End Cap With Hole (Metal)



LED Strip



180° Connector (Metal)

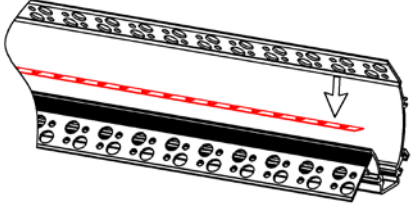
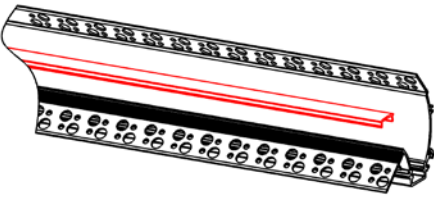
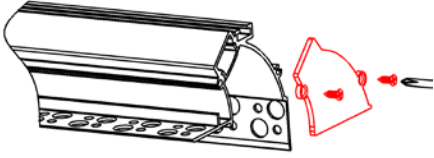
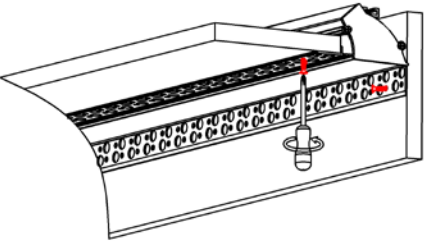
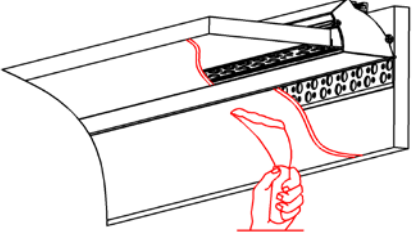
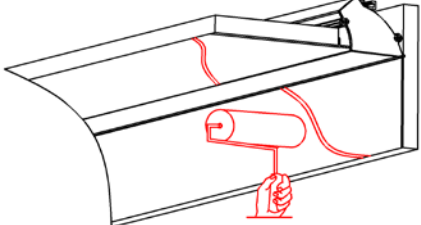


90° Connector (Metal)



90° Vertical Connector (Metal)

Steps of Installation

<p>1. Stick the led strips</p> 	<p>1. Click the diffused cover</p> 	<p>2. Fix the end cap with screws</p> 
<p>3. Mounting the profile assembled</p> 	<p>4. Plaster on the fixture & drywall</p> 	<p>5. Painting on the fixture & drywall</p> 
<p>6. Installation completed</p> 