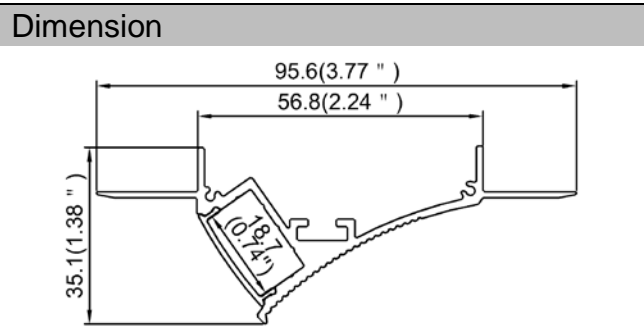
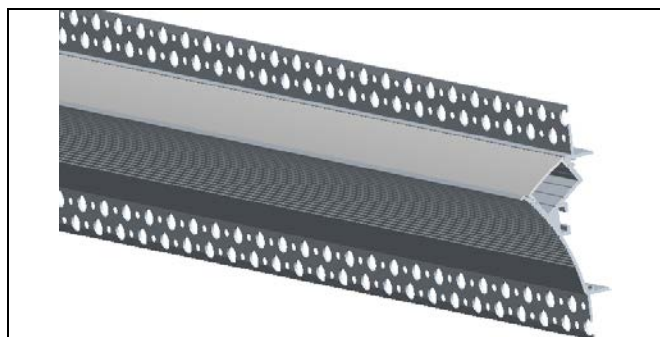


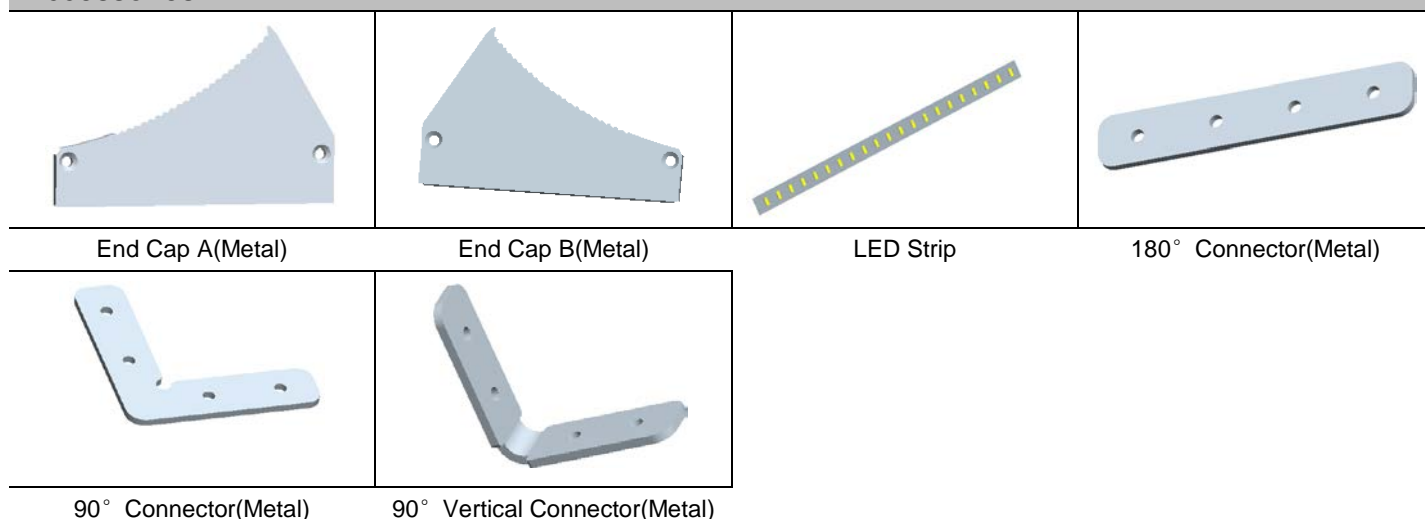
Model : ALP128



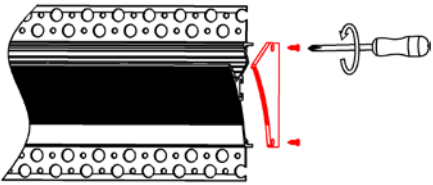
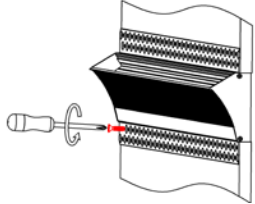
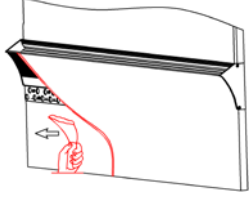
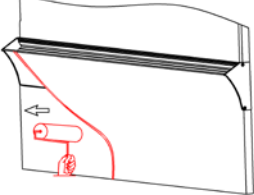
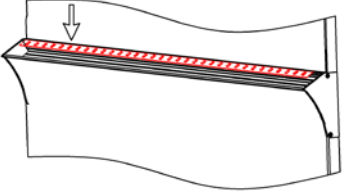
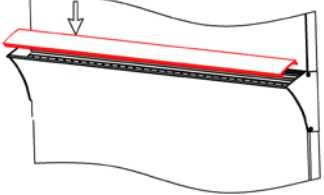
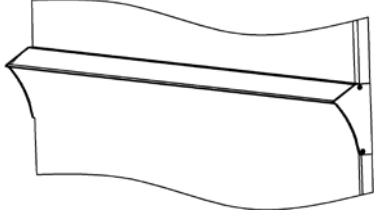
Specification

| | |
|---------------------|---|
| Aluminum Profile | 6063-T5 |
| Diffuser | PC diffused cover /PMMA semi-clear cover/PMMA opal matte cover/PMMA clear cover |
| Length | 2000mm / 2500mm / 3000mm |
| Weight | 0.787kg/m |
| Max LED Strip Width | 15mm |
| Max Power | 18W/m |
| Beam angle | 100° |
| Finish | Silver / Black anodized , Powder coated white / black or other colors |
| Installation | Recessed |

Accessories



Steps of Installation

| | | |
|---|--|--|
| <p>1. Fix the end caps</p>  | <p>2. Mounting the fixture</p>  | <p>3. Plaster on the fixture & drywall</p>  |
| <p>4. Painting on the fixture & drywall</p>  | <p>5. Stick the LED strip</p>  | <p>6. Click the diffused cover</p>  |
| <p>7. Installation completed</p>  | | |