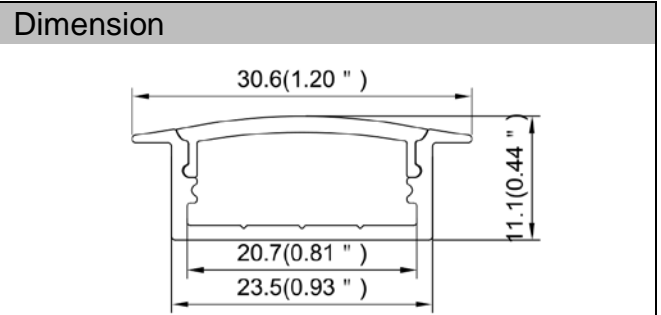
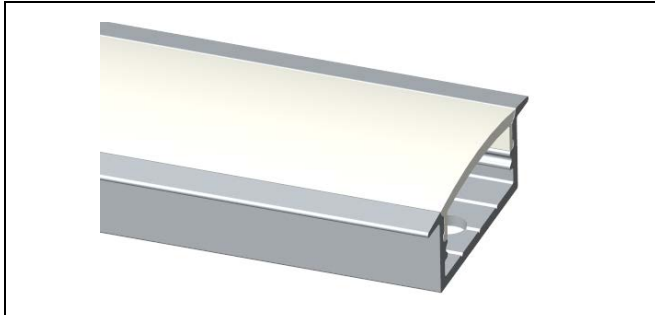


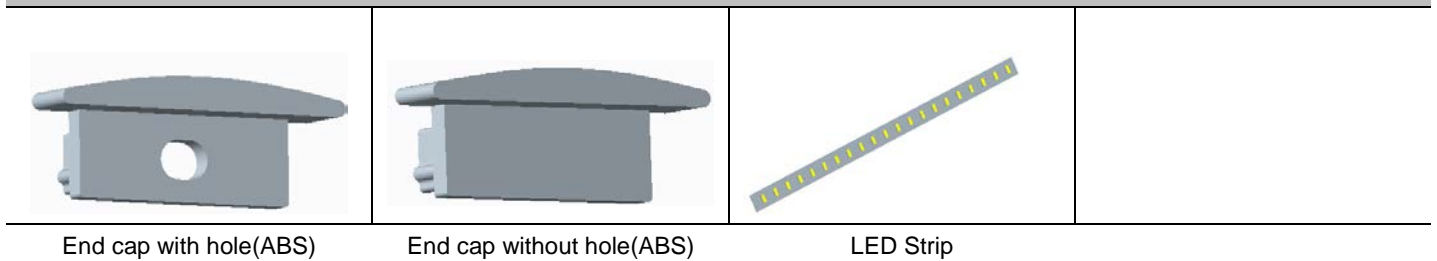
Model : ALP013



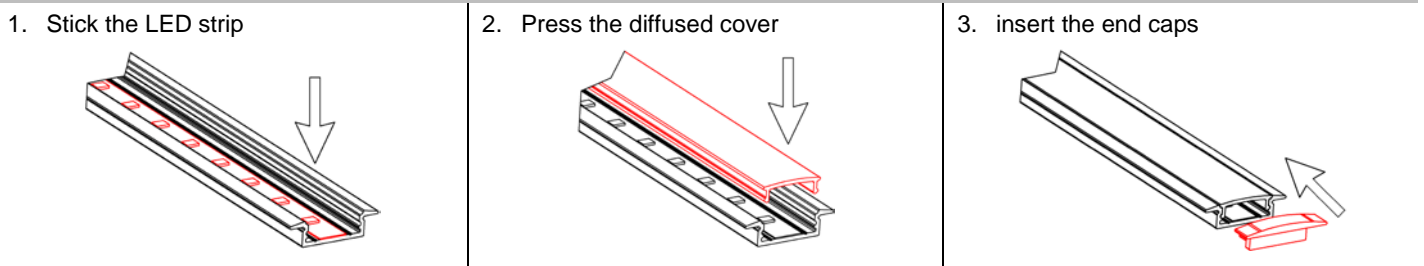
Specification

Aluminum Profile	6063-T5
Diffuser	PC diffused cover / PMMA opal cover/ PMMA semi-clear cover /PMMA clear cover
Length	2000mm / 2500mm / 3000mm
Weight	0.213kg/m
Max LED Strip Width	20mm
Max Power	15W/m
Beam angle	100°
Finish	Silver / Black anodized , Powder coated white / black or other colors
Installation	Recessed

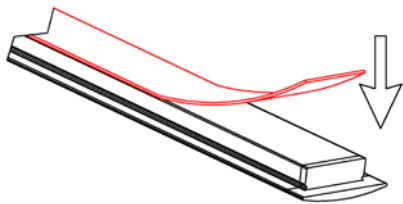
Accessories



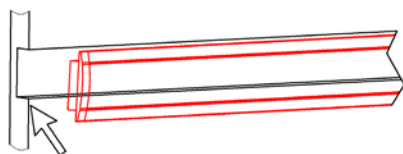
Steps of Installation



4. Stick the tape on the back of fixture



5. Install the fixture on the wall



6. Installation completed

