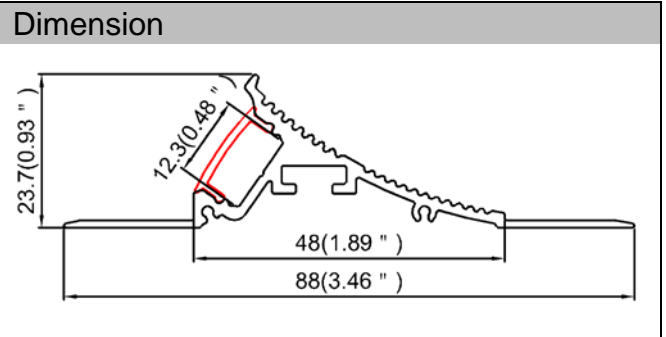
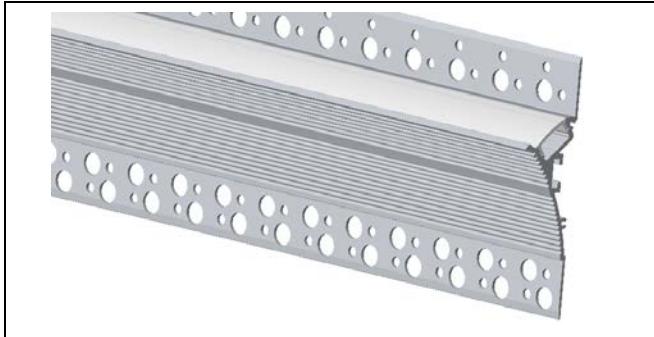


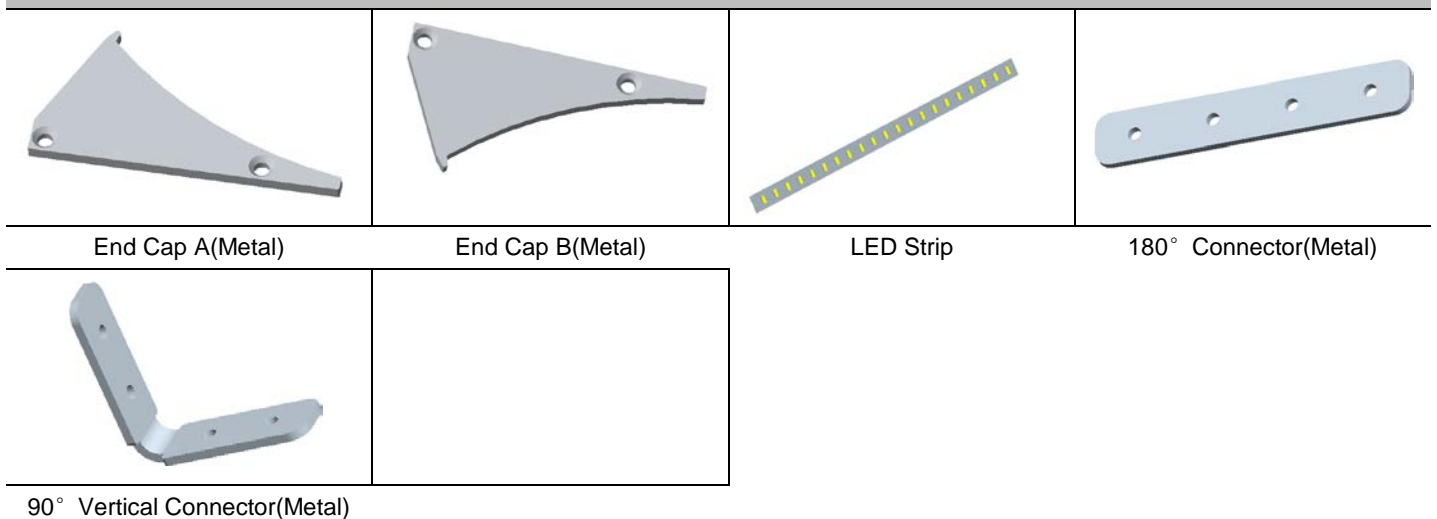
Model : ALP128-R



Specification

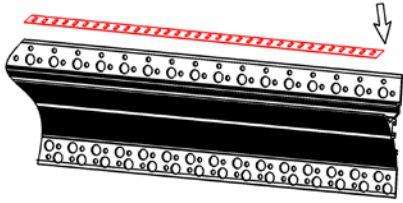
Aluminum Profile	6063-T5
Diffuser	PC diffused cover
Length	2000mm / 2500mm / 3000mm
Weight	0.608kg/m
Max LED Strip Width	12mm
Max Power	18W/m
Beam angle	100°
Finish	Silver / Black anodized , Powder coated white / black or other colors
Installation	Recessed

Accessories

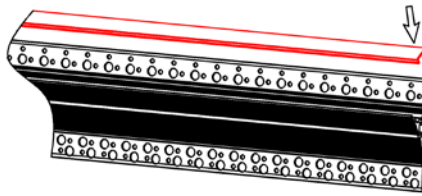


Steps of Installation

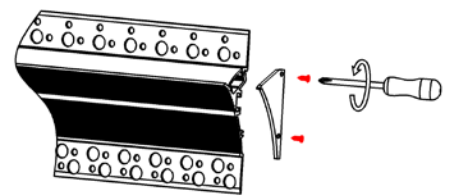
1. Stick the led strips



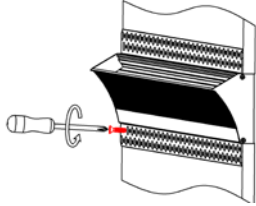
2. Click the diffused cover



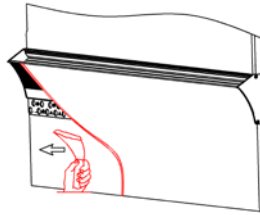
3. Fix the end caps with screws



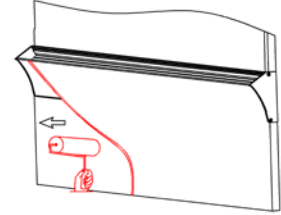
4. Mounting the profile on the wall



5. Plaster on the fixture & drywall



6. Painting on the fixture & drywall



7. Installation completed

