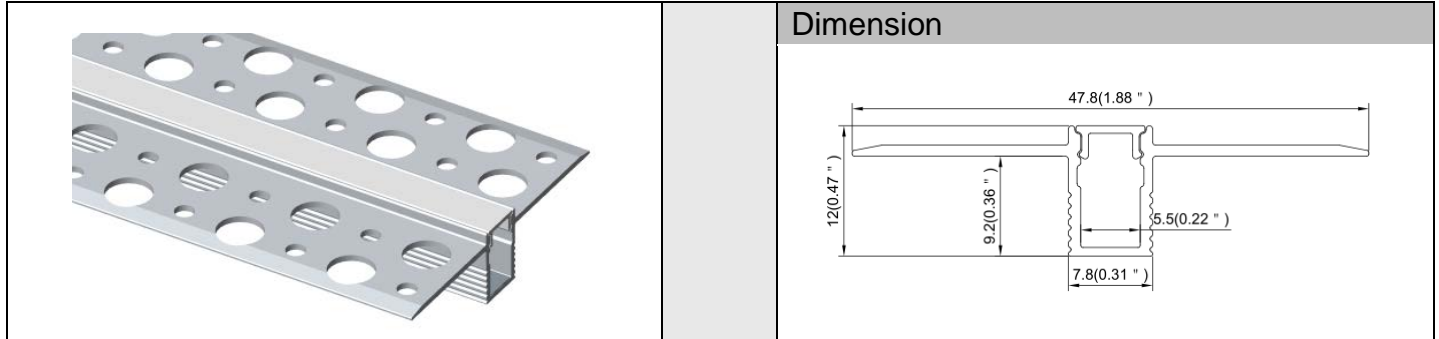




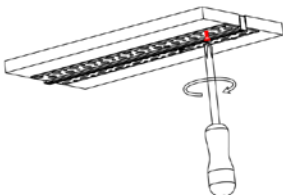
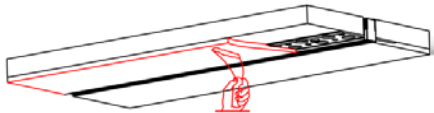


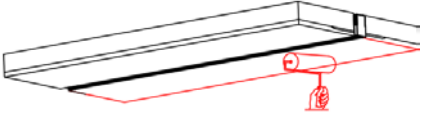
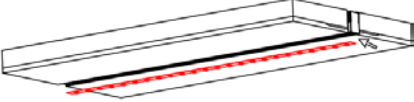
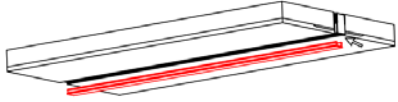
Model : ALP129



Specification	
Aluminum Profile	6063-T5
Diffuser	PC frosted cover
Length	2000mm / 2500mm / 3000mm
Weight	0.197kg/m
Max LED Strip Width	5mm
Max Power	10W/m
Beam angle	100°
Finish	Silver / Black anodized , Powder coated white / black or other colors
Installation	Recessed

Accessories		
		
End cap with hole(ABS)	End cap without hole(ABS)	LED Strip

Steps of Installation		
<p>1. Insert the end caps</p> 	<p>2. Mount the profile on the ceiling</p> 	<p>3. Apply a layer of plaster to the profile and the ceiling</p> 

<p>4. Paint the surface to finish</p> 	<p>5. Stick the LED strip</p> 	<p>6. Press the cover</p> 
<p>7. Installation completed</p> 