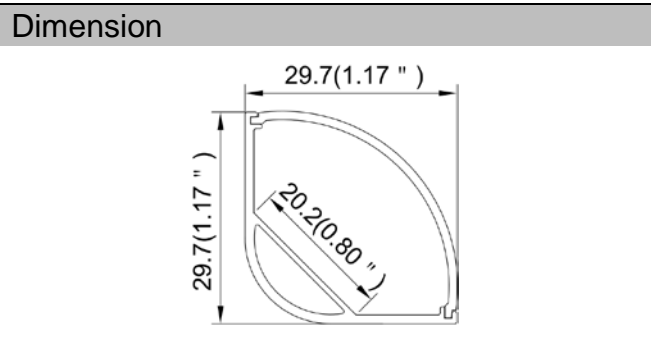


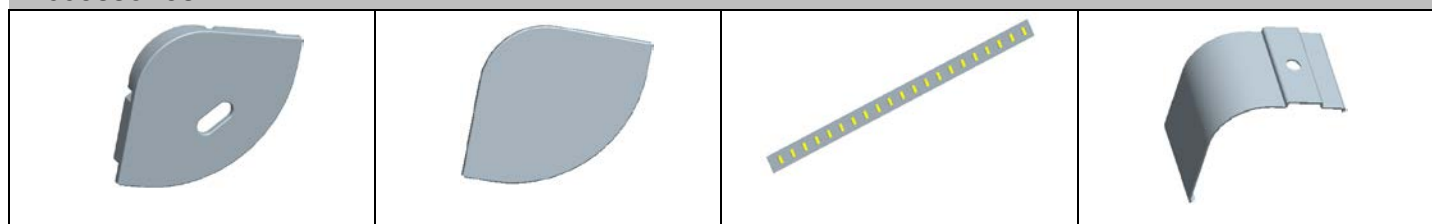
Model : ALP016-R



Specification

Aluminum Profile	6063-T5
Diffuser	PC diffused cover / PMMA matte cover/ PMMA semi-clear cover
Length	2000mm / 2500mm / 3000mm
Weight	0.306kg/m
Max LED Strip Width	20mm
Max Power	15W/m
Beam angle	100°
Finish	Silver / Black anodized , Powder coated white / black or other colors
Installation	Surface / Recessed

Accessories

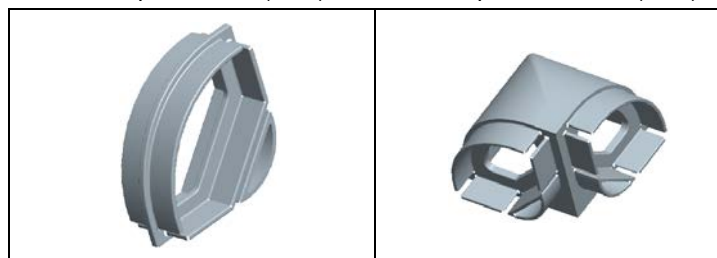


End Cap With Hole(ABS)

End Cap Without Hole(ABS)

LED Strip

Mounting clip(Metal)



180 degrees joining connector(PC)

90 degrees joining connector(PC)

Steps of Installation

1. Stick the LED strip



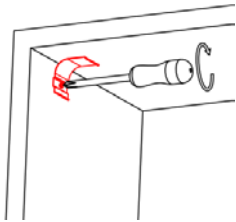
2. Press the diffused cover



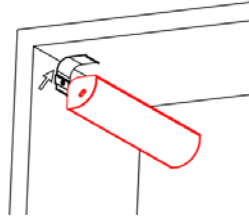
3. Click the end caps



4. Install the mounting clip



5. Click the fixture to the mounting clip



6. Installation completed

