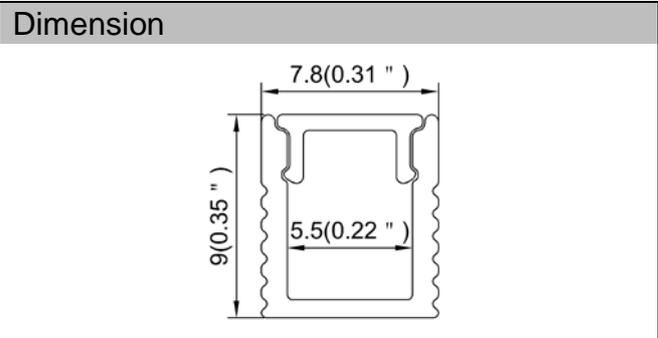


Model : ALP073



Specification

Aluminum Profile	6063-T5
Diffuser	PC frosted cover / PC black cover
Length	2000mm / 2500mm / 3000mm
Weight	0.073kg/m
Max LED Strip Width	5mm
Max Power	10W/m
Beam angle	100°
Finish	Silver / Black anodized , Powder coated white / black or other colors
Installation	Surface

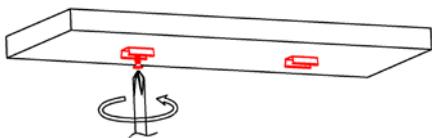
Accessories

End Cap (ABS)	LED Strip	Mounting Clip (Metal)

Steps of Installation

<p>1. Stick the led strips</p>	<p>2. Press the diffused cover</p>	<p>3. Install the end caps</p>
--------------------------------	------------------------------------	--------------------------------

4. Mounting the clip on the ceiling



5. Mounting the fixture with clips



6. Installation completed

