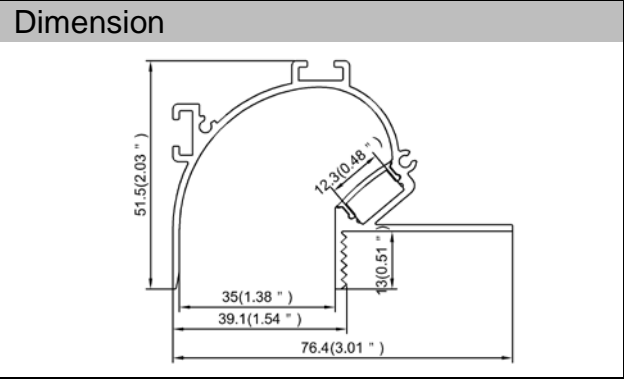
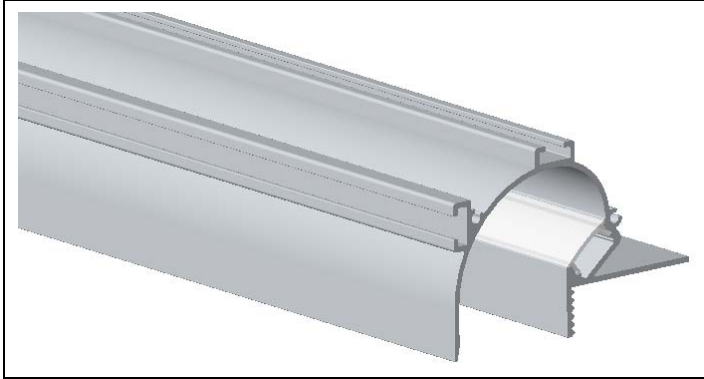


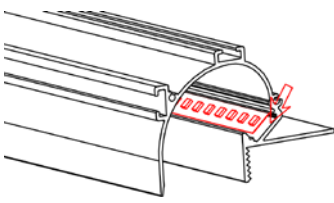
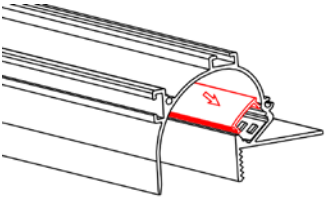
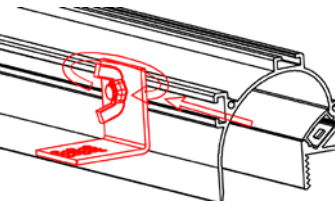
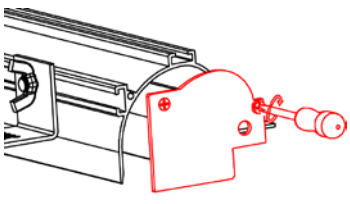
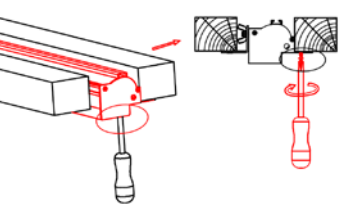
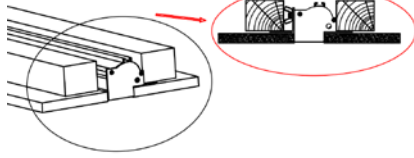
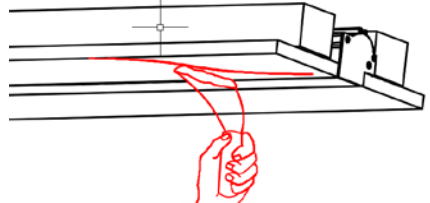
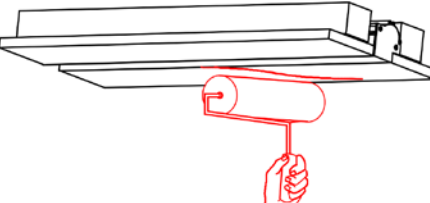
Model : ALP078-R

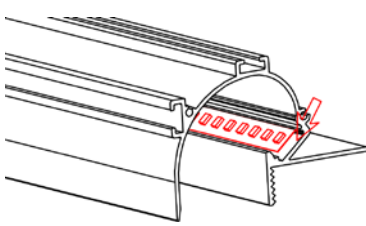
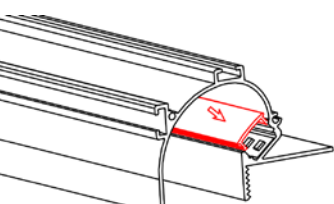
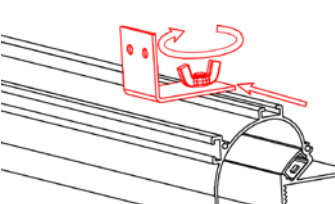
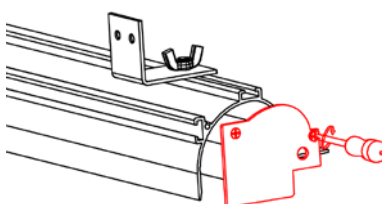
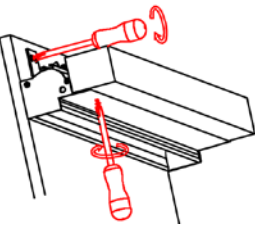
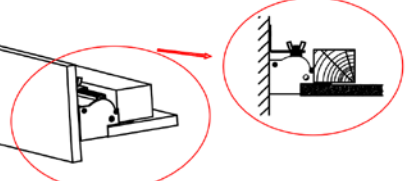
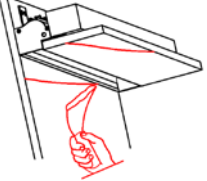
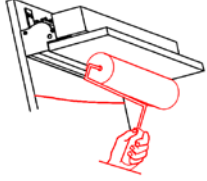


Specification	
Aluminum Profile	6065-T5
Diffuser	PC diffused cover
Length	2000 / 2500 / 3000mm
Weight	0.987Kg/m
Max Strip Width	12mm
Max Power	18W/m
Beam angle	/
Finish	Silver /Black anodized , Powder coated white /black or other colors
Installation	Recessed

Accessories			
End cap( metal)	End cap with hole(metal)	Clip A	Clip B
LED strip			

**Steps of Installation**

<p>1. Stick led strip</p> 	<p>2. Push the cover inside</p> 	<p>3. Fix the frame on profile</p> 
<p>4. Fix the end caps</p> 	<p>5. Fix the whole profile on wooden frame</p> 	<p>6. Install the ceiling plasterboard</p> 
<p>7. Paint the plaster</p> 	<p>8. Paint lacquer</p> 	<p><b>Installation with clip A</b></p>

<p>1. Stick led strip</p> 	<p>2. Push the cover inside</p> 	<p>3. Fix the frame on profile</p> 
<p>4. Fix the end cap</p> 	<p>5. Fix the whole profile on wooden frame</p> 	<p>6. Install the ceiling plasterboard</p> 
<p>7. Paint the plaster</p> 	<p>8. Paint lacquer.</p> 	<p><b>Installation with clip B</b></p>

