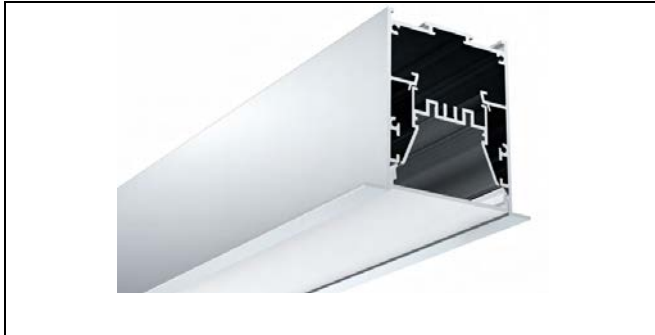
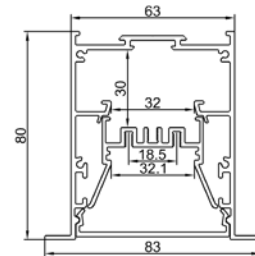


Model : ALP6380-T



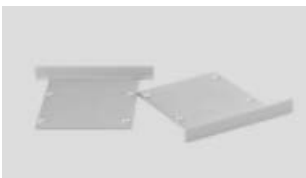
**Dimension**



**Specification**

Aluminum Profile	6063-T5
Diffuser	PC frosted cover
Length	2000mm / 2500mm / 3000mm
Weight	2.505kg/m
Max LED Strip Width	32mm
Max Power	30W/m
Beam angle	100°
Finish	Silver / Black anodized , Powder coated white / black or other colors
Installation	Recessed

**Accessories**



End Cap (Metal)



LED Strip



Inside Clip

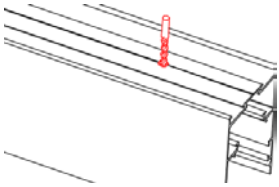
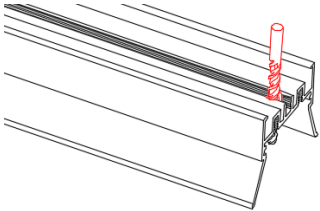
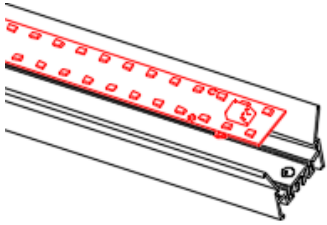
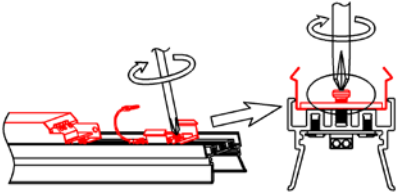
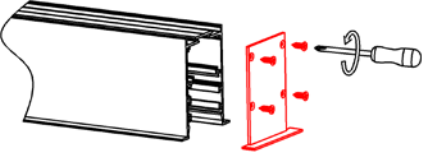
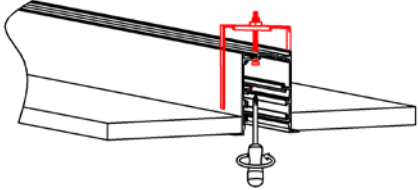
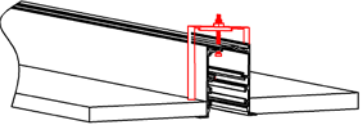
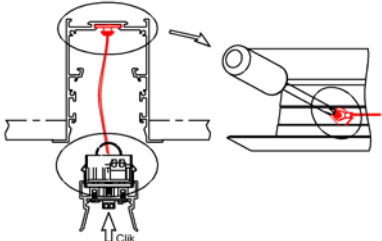
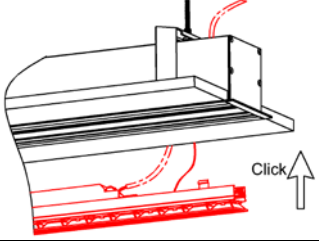


Stainless clip



Safety Cable

**steps of Installation**

<p>1. Drill the hole for power cable</p> 	<p>2. Drill the hole for LED module input</p> 	<p>3. Fix the led module with screws</p> 	
<p>4. Fix the inside clip/driver/safety wire</p> 	<p>5. Install the end caps with screws</p> 	<p>6. Mounting the profile with stainless clips</p> 	
<p>7. Mounting the profile on the ceiling</p> 	<p>8. Fix the safety cable with screws</p> 	<p>9. Install the assemble part with clips</p> 	
<p>10. Install the PC cover and completed</p> 