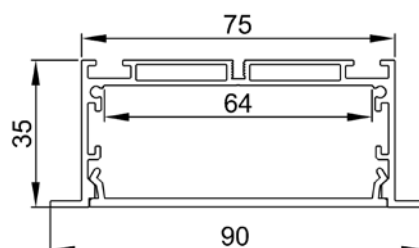


Model : ALP047-R1



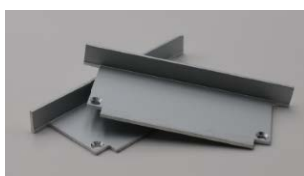
Dimension



Specification

Aluminum Profile	6063-T5
Diffuser	PC diffused cover
Length	2000mm / 2500mm / 3000mm
Weight	1.202kg/m
Max LED Strip Width	64mm
Max Power	35W/m
Beam angle	100°
Finish	Silver / Black anodized , Powder coated white / black or other colors
Installation	Recessed

Accessories



End Cap(Metal)



LED Strip



Stainless Clip (Metal)

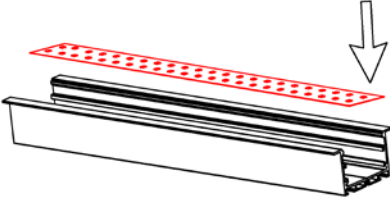
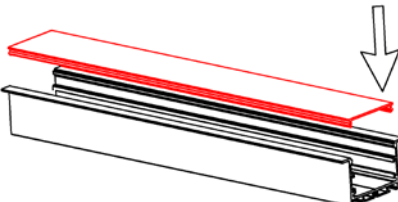
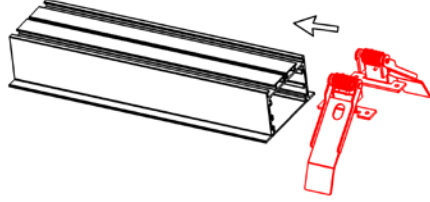
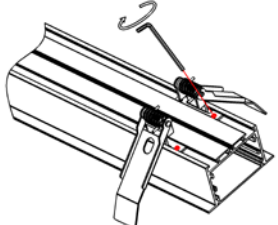
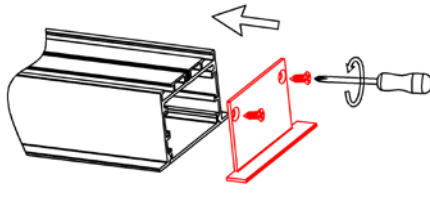
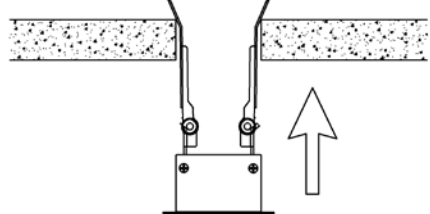


180° Connector(Metal)



90° Vertical Connector(Metal)

Steps of Installation

<p>1. Stick the LED strip</p> 	<p>2. Click the diffused cover</p> 	<p>3. Fix the spring clip</p> 
<p>4. Lock the Allen screw</p> 	<p>5. Installing the end caps with screws</p> 	<p>6. Insert the fixture to the plasterboard</p> 
<p>7. Installation completed</p> 