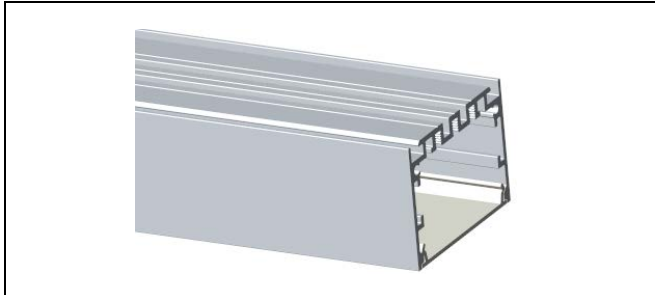
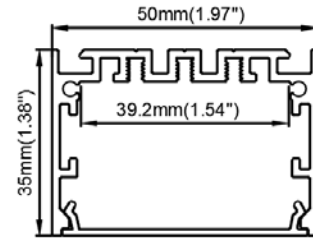


Model : ALP5035



**Dimension**



**Specification**

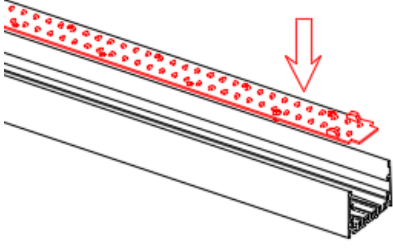
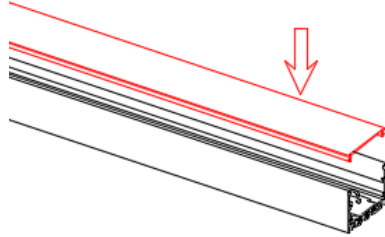
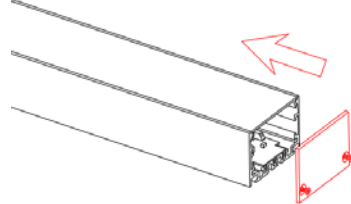
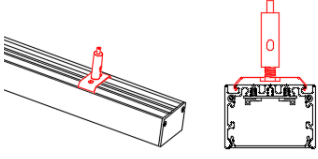
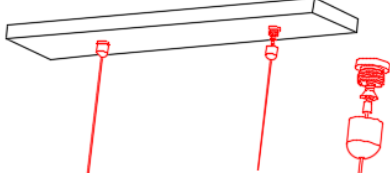
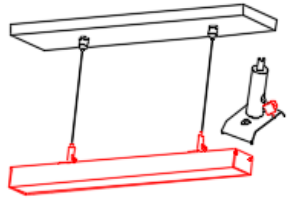
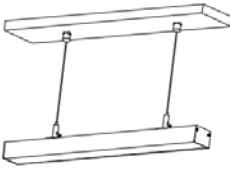
Aluminum Profile	6065-T5
Diffuser	Blind cover/Louver optic
Length	2000mm / 2500mm / 3000mm
Weight	0.913Kg/m
Max Strip Width	38mm
Max Power	30W
Beam angle	100°
Finish	Silver /Black anodized , Powder coated white /black or other colors
Installation	Recessed

**Accessories**

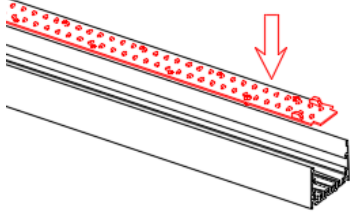
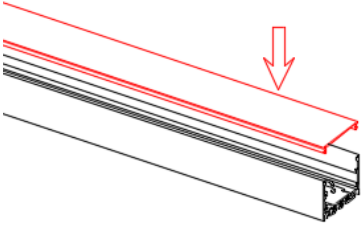
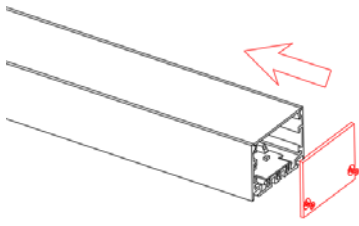
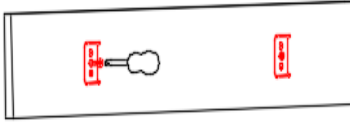
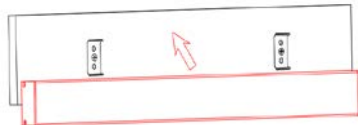
End cap(Steel)	clip	LED Strip	Steel wire
180° Connector(Metal)	90° Connector(Metal)	90° Vertical Connector(Metal)	

**Steps of Installation**

**The first option**

<p>1. Install the LED strip with screw</p> 	<p>2. Press the diffuser</p> 	<p>3. Mount the end caps</p> 
<p>4. Mount the clip and bottom of steel wire</p> 	<p>5. Mount the top of steel wire</p> 	<p>6. Click the profile</p> 
<p>7. Installation completed</p> 		

**The second option**

<p>1. Install the LED strip with screw</p> 	<p>2. Press the diffuser</p> 	<p>3. Mount the end caps</p> 
<p>4. fix the clip</p> 	<p>4. Click the profile</p> 	<p>5. Installation completed</p> 