

Model : ALP062



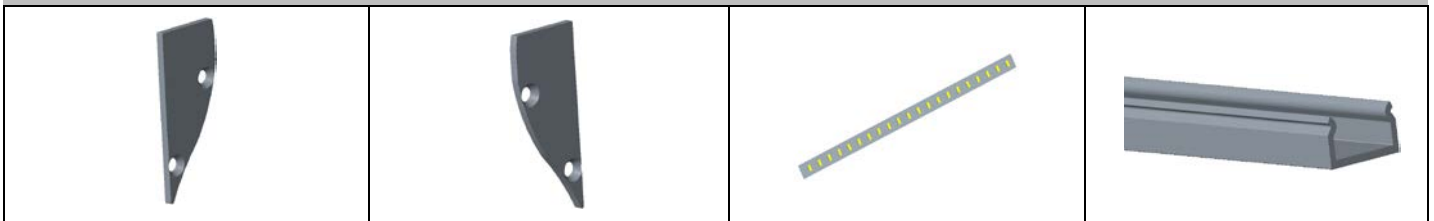
**Dimension**



**Specification**

Aluminum Profile	6063-T5
Diffuser	PC semi-clear cover
Length	2000mm / 2500mm / 3000mm
Weight	0.482kg/m
Max LED Strip Width	12mm
Max Power	25W/m
Beam angle	100°
Finish	Silver / Black anodized , Powder coated white / black or other colors
Installation	Surface

**Accessories**



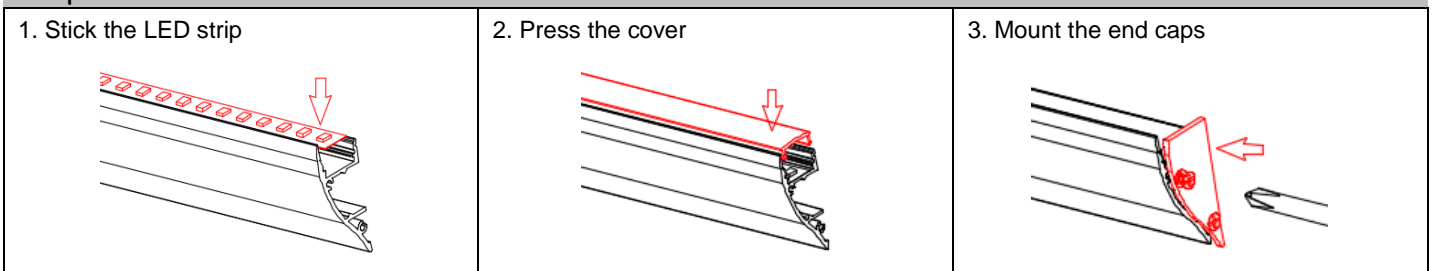
End cap without hole 1(metal)

End cap without hole 2(metal)

LED Strip

Mounting profile

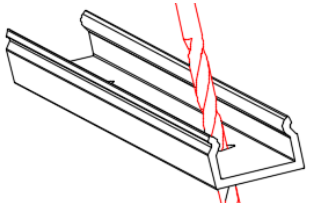
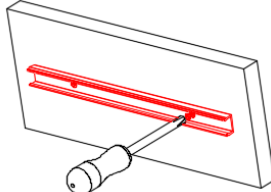
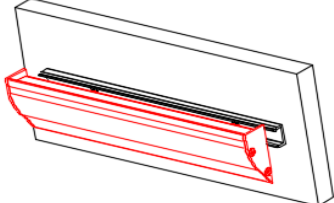
**Steps of Installation**



1. Stick the LED strip

2. Press the cover

3. Mount the end caps

<p>4. Drilling the holes for the mounting profile</p> 	<p>5. Install the profile on the clip</p> 	<p>6. Installation completed</p> 
<p>7. Installation completed</p> 