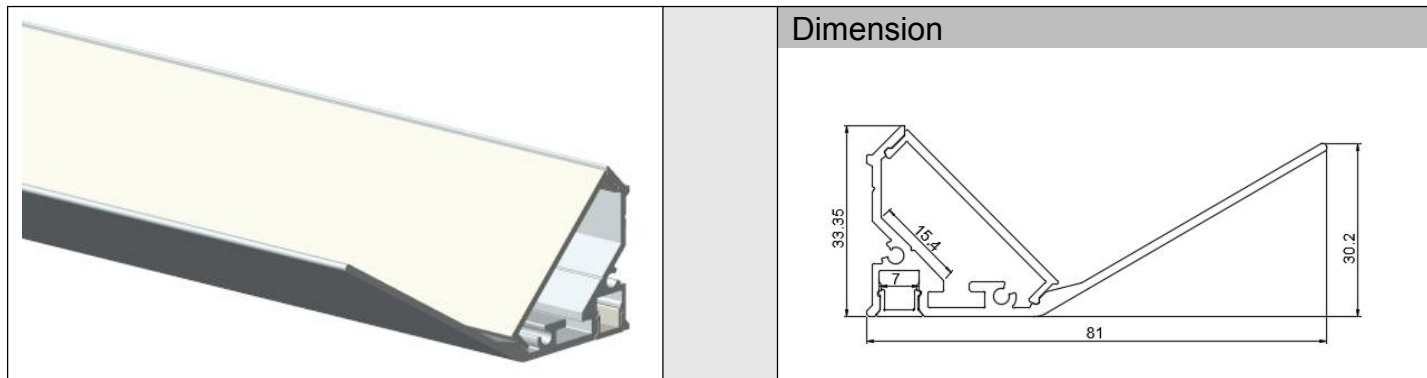


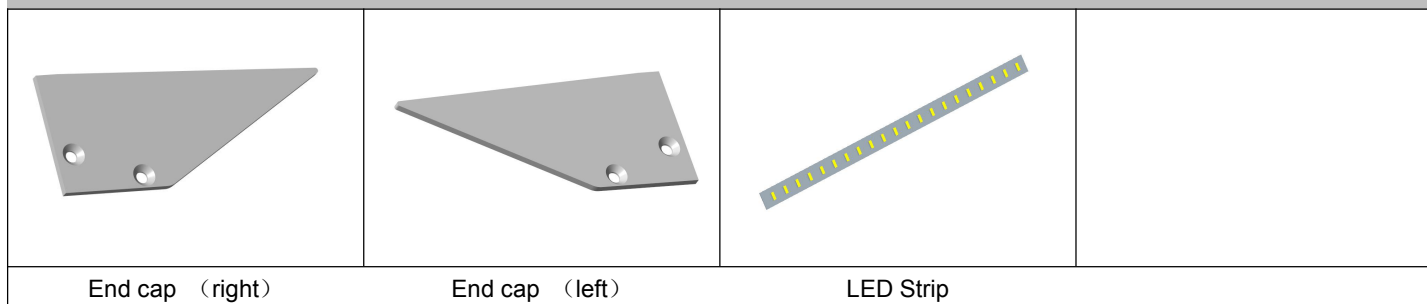
Model : ALP201



Specification

Aluminum Profile	6063-T5
Diffuser	PC diffused cover
Length	2000mm / 2500mm / 3000mm
Weight	0.672kg/m
Max LED Strip Width	15mm and 6mm
Max Power	28W/m
Beam angle	
Finish	Silver / Black anodized , Powder coated white / black or other colors
Installation	Recessed

Accessories

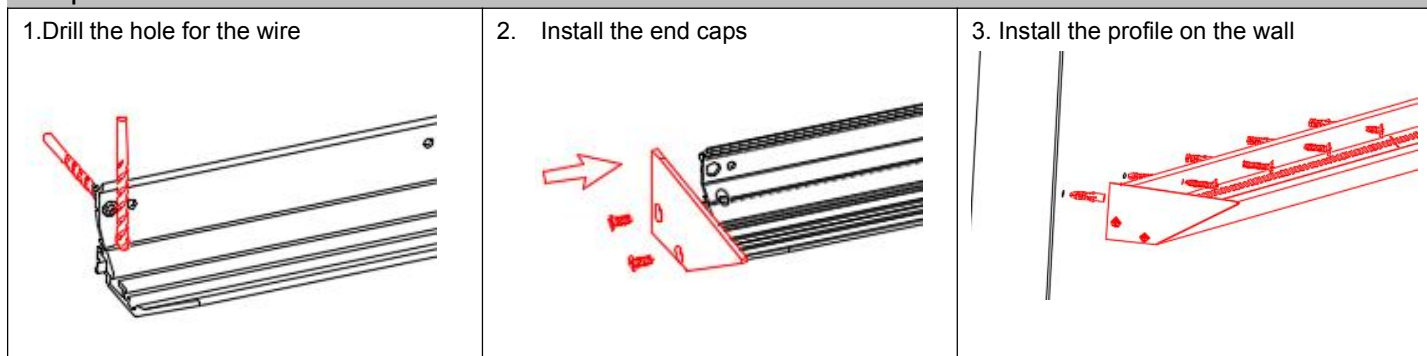


End cap (right)

End cap (left)

LED Strip

Steps of Installation



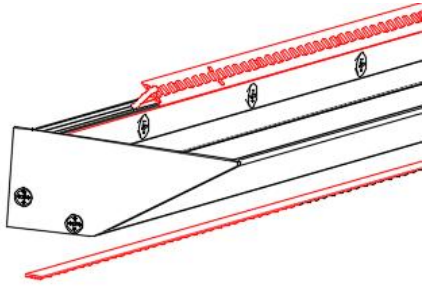
1. Drill the hole for the wire

2. Install the end caps

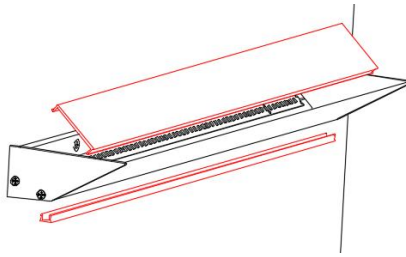
3. Install the profile on the wall

SPECIFICATION

4. Stick the LED strip



5. Press the cover



6. Installation completed

