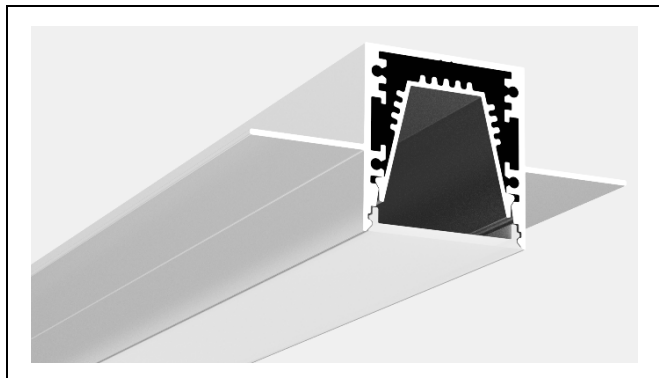
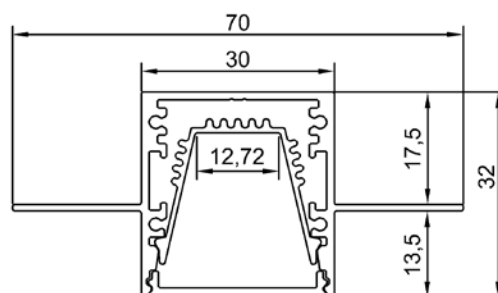


Model : ALP3030-R



Dimension



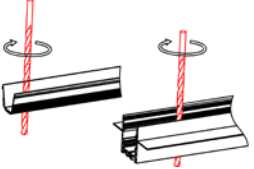

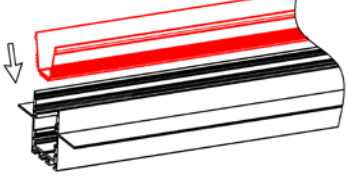
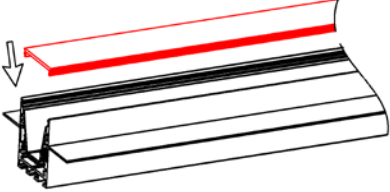
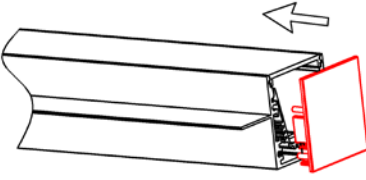
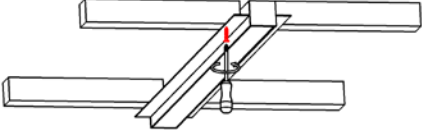
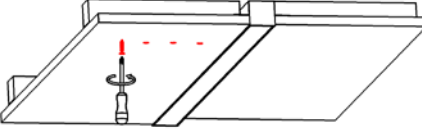
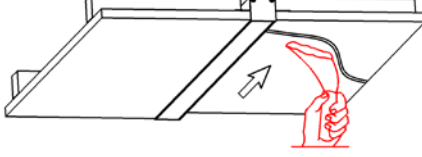
Specification

Aluminum Profile	6065-T5
Diffuser	PC frosted cover
Length	2000mm / 2500mm / 3000mm
Weight	0.631kg/m
Max LED Strip Width	12mm
Max Power	18W/m
Beam angle	100°
Finish	Silver / Black anodized , Powder coated white / black or other colors
Installation	Recessed

Accessories

End cap (metal)	LED Strip	180° Connector(Metal)	90° Vertical Connector(Metal)
90° Connector(Metal)			

Steps of Installation

<p>1. Drill the holes for power cable</p> 	<p>2. Stick the LED strips</p> 	<p>3. Press the profile B into the A</p> 
<p>4. Press the diffused cover.</p> 	<p>5. Install the end caps</p> 	<p>6. Mounting the fixture on the ceiling</p> 
<p>7. Fix the drywall on both sides of profile</p> 	<p>8. Plaster on the fixture & drywall</p> 	<p>9. Painting on the fixture & drywall</p> 