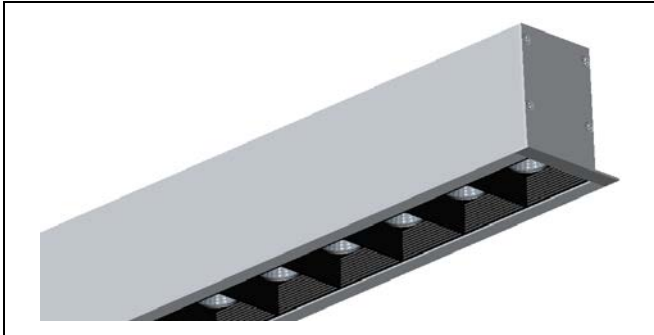
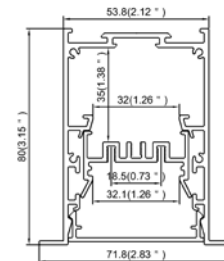


Model : LS50-T



Dimension



Specification

Aluminum Profile	6065-T5
Diffuser	Shown below
Length	2000 / 2500 / 3000mm
Weight	2.238 kg / m (Including PC diffused cover)
Max Strip Width	32mm
Max Power	45 W/m
Beam angle	Shown below
Finish	Silver /Black anodized , Powder coated white /black or other colors
Installation	Recessed

Accessories



Outside clip(Stainless Steel)



Inside clip(Metal)



Suspension wire



Blind cover



LED Module



Safety cable



PC diffused cover



Prismatic cover



Prismatic 3 in 1





Prismatic + lens



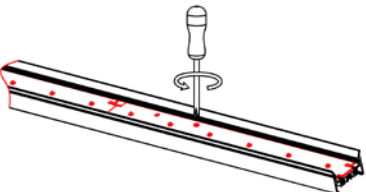
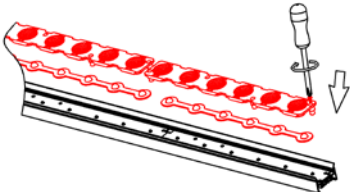
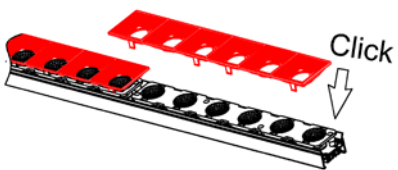
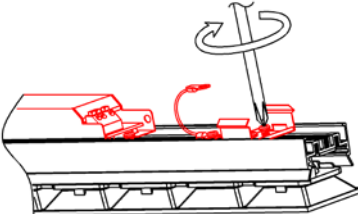

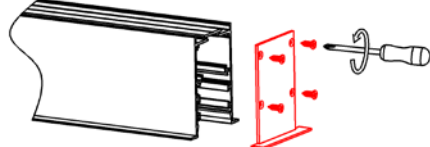
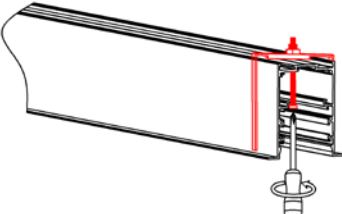
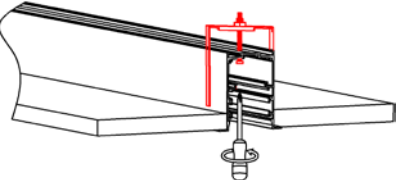
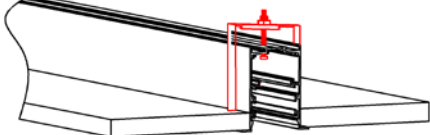
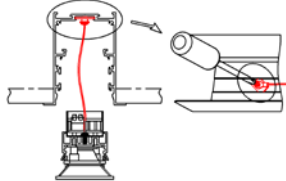
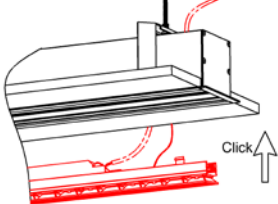
Reflector:15° , 30° , 45°



High reflective louver

			
90° connector	180° connector		

Steps of Installation

<p>1. Fix the LED board on the profile</p> 	<p>2. Fix the reflector parts with screws</p> 	<p>3. Click the trim of reflector parts .</p> 
<p>4. Fix the driver & safety cable & clips</p> 	<p>5. Drill the hols for mounting&power cable</p> 	<p>6. Fix the end caps with screws</p> 
<p>7. Assemble the recessed frame .</p> 	<p>8. Mounting the profile on the ceiling</p> 	<p>9. Mounting completed</p> 
<p>10. Lock the safety cable tightly.</p> 	<p>11. Click the assembled part.</p> 	<p>12. Installation completed</p> 