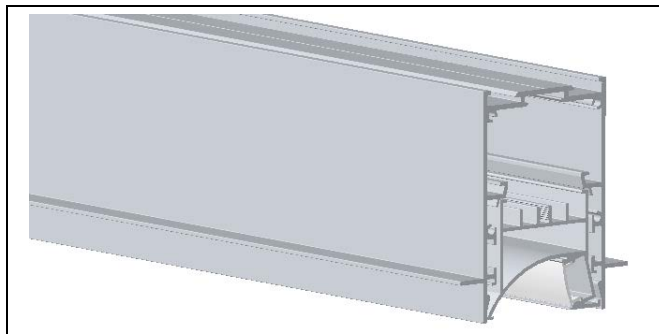
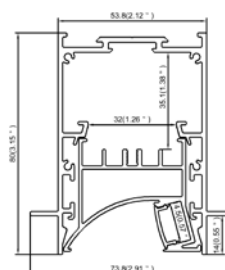


Model : LS50-T1-WW



**Dimension**



**Specification**

Aluminum Profile	6065-T5
Diffuser	PMMA opal matte cover / PMMA semi-clear cover / PMMA clear cover / PC diffused cover
Length	2000 / 2500 /3000mm
Weight	2.366 kg /m (Including PC diffused cover)
Max Strip Width	12mm
Max Power	35W/m
Beam angle	/
Finish	Silver /Black anodized , Powder coated white /black or other colors
Installation	Recessed

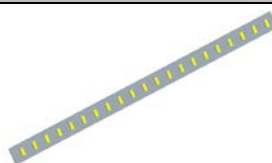
**Accessories**



Outside clip(Stainless Steel)



Inside clip(Metal)



LED Module



Safety cable

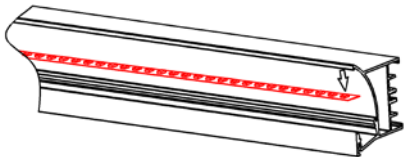
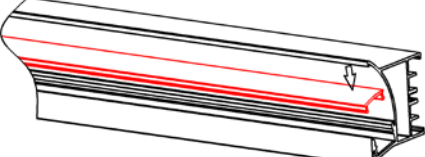
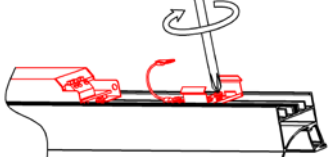
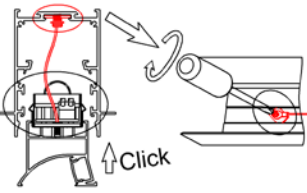
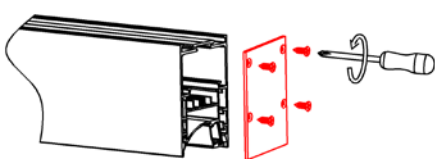
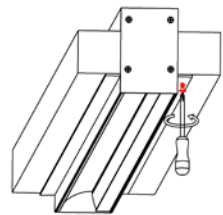
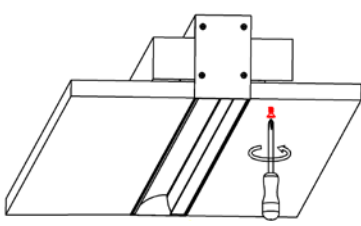
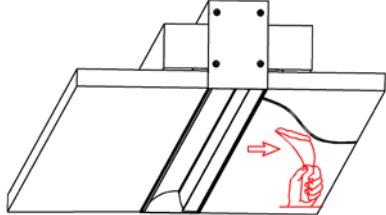
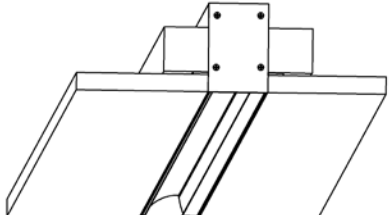


90° connector



180° Connector

**Steps of Installation**

<p>1. Stick the LED module on the profile</p> 	<p>2. Click the diffused cover</p> 	<p>3. Fix the driver &amp; safety cable &amp; clips</p> 
<p>4. Fix the safety cable &amp; click the parts.</p> 	<p>5. Fix the end caps with screws.</p> 	<p>6. Mounting the profile on the ceiling</p> 
<p>7. Mounting the drywall</p> 	<p>8. Plaster on the fixture &amp; drywall</p> 	<p>9. Painting on the fixture &amp; drywall</p> 
<p>10. Installation completed .</p> 