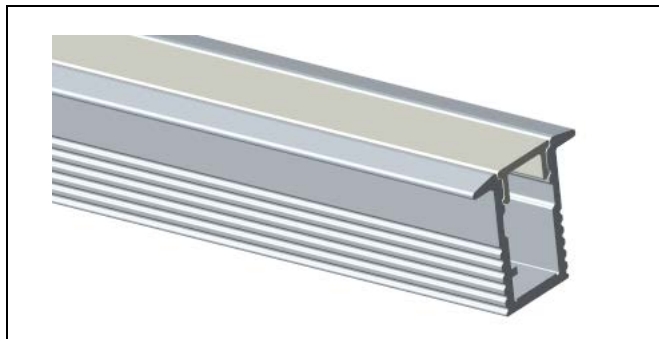
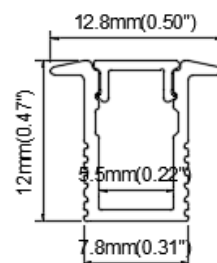


Model : ALP117






Dimension



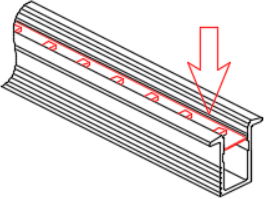
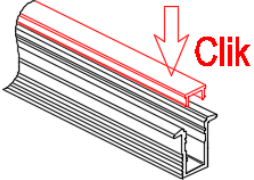
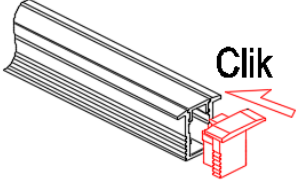
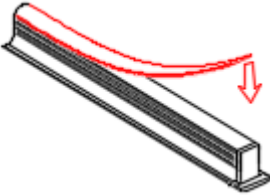
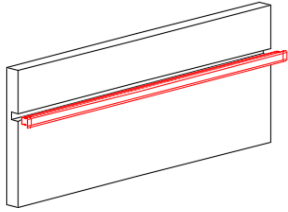
Specification

Aluminum Profile	6065-T5
Diffuser	PC diffused cover
Length	2000mm / 2500mm / 3000mm
Weight	0.101kg/m
Max LED Strip Width	4mm
Max Power	10W/m
Beam angle	110°
Finish	Silver / Black anodized , Powder coated white / black or other colors
Installation	Recessed

Accessories

		
End Cap with hole	End Cap without hole	LED Strip

Steps of Installation

<p>1. Stick the LED strip</p> 	<p>2. Press the cover</p> 	<p>3. Insert the end cap</p> 
<p>4. Stick the tape on the back of the profile</p> 	<p>5. Install the profile on the groove</p> 	<p>6. Installation completed</p> 