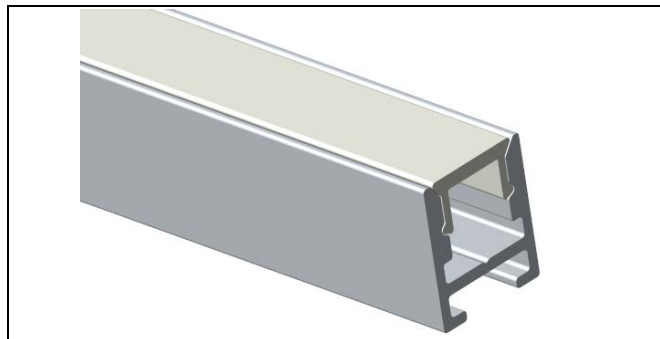
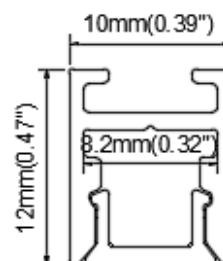


Model : ALP119



Dimension



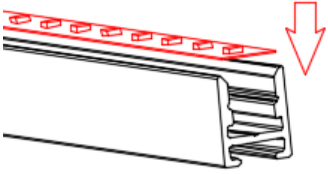
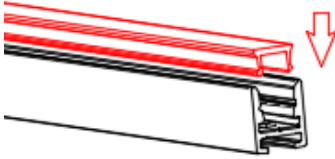
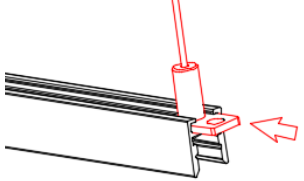
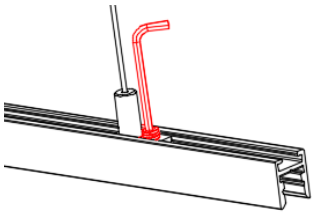
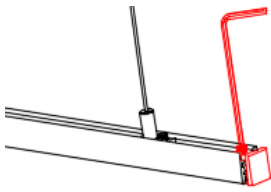
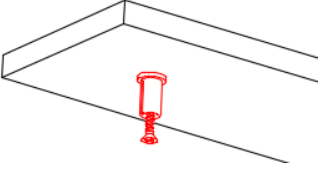
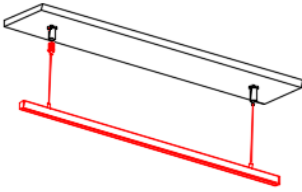
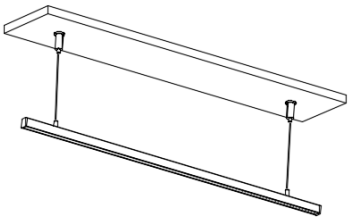
Specification

| | |
|---------------------|---|
| Aluminum Profile | 6065-T5 |
| Diffuser | PC diffused cover |
| Length | 2000mm / 2500mm / 3000mm |
| Weight | 0.134kg/m |
| Max LED Strip Width | 8mm |
| Max Power | 12W/m |
| Beam angle | 110° |
| Finish | Silver / Black anodized , Powder coated white / black or other colors |
| Installation | Recessed |

Accessories

| | | | |
|---------------|----------------------|------------|----------------|
| | | | |
| End Cap | LED Strip | Steel wire | 180° connector |
| | | | |
| 90° connector | Inside 90° connector | | |

Steps of Installation

| | | |
|--|--|---|
| <p>1. Stick the LED strip</p>  | <p>2. Press the cover</p>  | <p>3. Insert the bottom of steel wire</p>  |
| <p>4. Fix the bottom of steel wire with screws</p>  | <p>5. Fix the end caps with screws</p>  | <p>6. Fix the top of steel wire with screws</p>  |
| <p>7. Fix the profile</p>  | <p>8. Installation completed</p>  | |