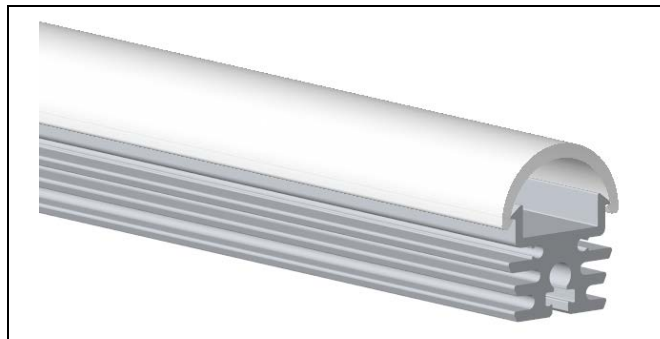
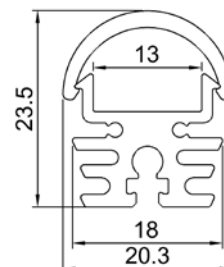


Model : ALP040









Dimension



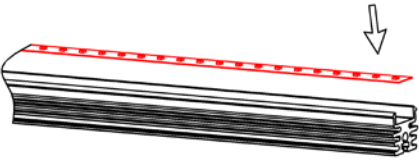
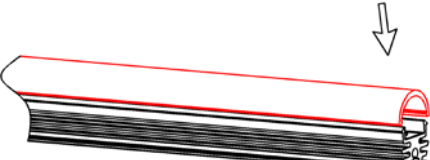
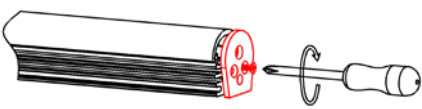
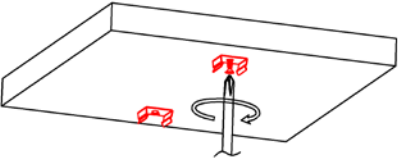
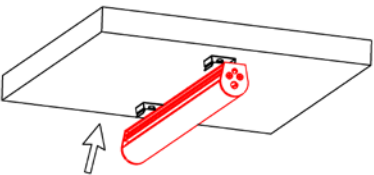
Specification

Aluminum Profile	6063-T5
Diffuser	PMMA semi clear cover / PMMA opal matte cover / PMMA semi clear lens
Length	2000mm / 2500mm / 3000mm
Weight	0.421kg/m
Max LED Strip Width	12mm
Max Power	15W/m
Beam angle	100°
Finish	Silver / Black anodized , Powder coated white / black or other colors
Installation	Surface

Accessories

			
End cap (Metal)	LED Strip	Mounting Clip (Metal)	PMMA Semi Clear Lens(30°)
			
PMMA Semi Clear Lens(60°)	PMMA Semi Clear Lens(90°)		

Steps of Installation

<p>1. Stick the LED strip</p> 	<p>2. Press the diffused cover or lens</p> 	<p>3. Install the end caps with screws</p> 
<p>4. Mounting the clip on the ceiling</p> 	<p>5. Mounting the fixture with clip</p> 	<p>6. Installation completed</p> 