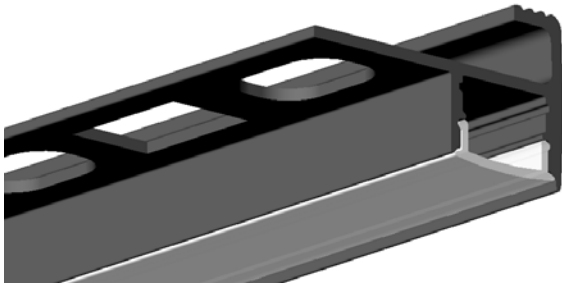
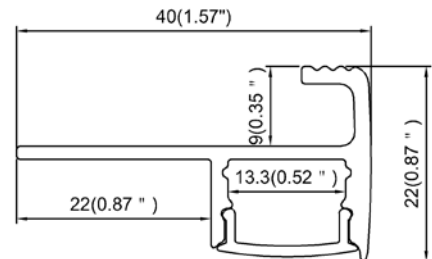


Model : ALP184-09



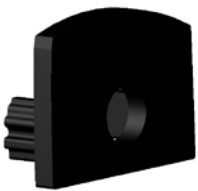
Dimension



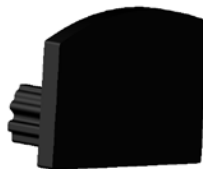
Specification

Aluminum Profile	6063-T5
Diffuser	PC diffused cover / PMMA opal cover/ PMMA semi-clear cover /PMMA clear cover
Length	2000mm / 2500mm / 3000mm
Weight	0.395 kg/m
Max LED Strip Width	12mm
Max Power	15W/m
Beam angle	100°
Finish	Silver / Black anodized , Powder coated white / black or other colors
Installation	Recessed

Accessories



End Cap With Hole(ABS)

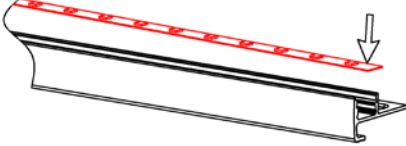
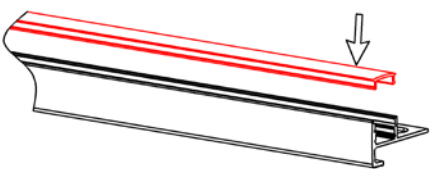
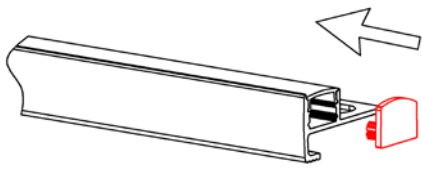
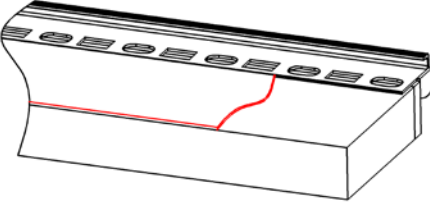
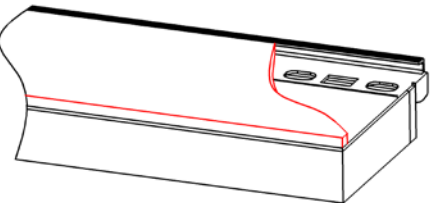


End Cap Without Hole(ABS)



LED Strip

Steps of Installation

<p>1. Stick the LED strip</p> 	<p>2. Press the diffused cover</p> 	<p>3. Click the end caps</p> 
<p>4. Spread cement paste</p> 	<p>5. Fix the tile floor</p> 	<p>6. Installation completed.</p> 