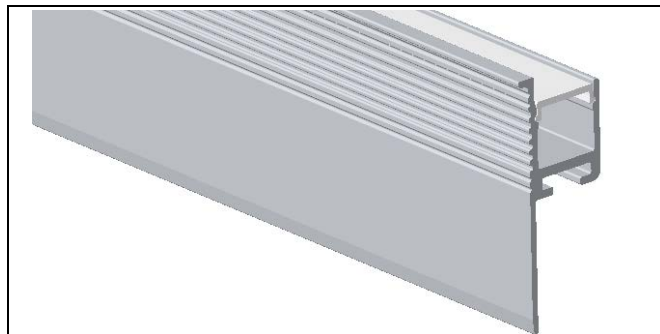
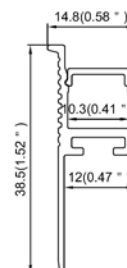


Model : ALP185



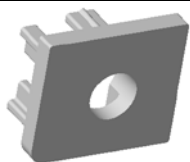
Dimension



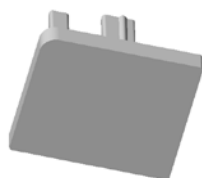
Specification

Aluminum Profile	6063-T5
Diffuser	PC diffused cover
Length	2000mm / 2500mm / 3000mm
Weight	0.256 kg/m
Max LED Strip Width	10mm
Max Power	12W/m
Beam angle	100°
Finish	Silver / Black anodized , Powder coated white / black or other colors
Installation	Recessed

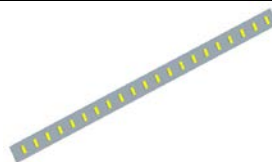
Accessories



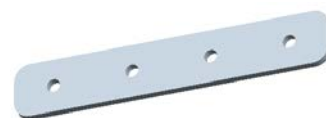
End Cap With Hole(ABS)



End Cap Without Hole(ABS)



LED Strip



180° Connector(Metal)

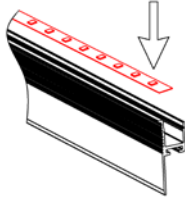
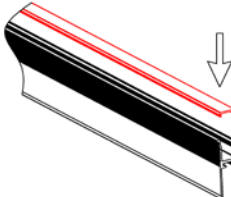
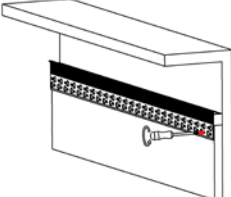
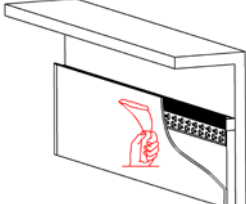
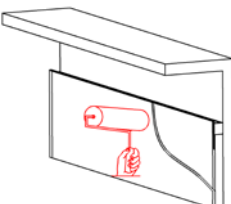


90° Connector(Metal)



90° Vertical Connector(Metal)

Steps of Installation

<p>1. Stick the LED strip</p> 	<p>2. Press the diffused cover</p> 	<p>3. Mounting the profile with screws</p> 
<p>4. Plaster on the fixture & drywall</p> 	<p>5. Painting on the fixture & drywall</p> 	<p>6. Installation completed.</p> 